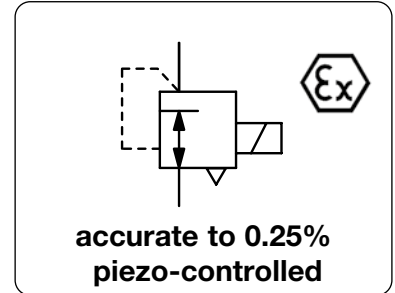


# PROPORTIONAL PRESSURE REGULATOR WITH PIEZO ELEMENT AND ELECTRICAL FEEDBACK PT7

<b>Description</b>	The proportional pressure regulator translates a direct current or voltage signal into a linear proportional pneumatic outlet signal. With rapid response controls using low-powered piezo microelectronics, flapper nozzle and solid state control circuit. The proportional pressure regulator has internal electronic with an electrical feedback sensor and is housed in NEMA4X (IP65) enclosure with six outlet ranges, jumper selectable. Input and outlet ports on both ends of the body simplify pneumatic piping.	
<b>Media</b>	5 µm filtered compressed air or non-corrosive gases	
<b>Supply voltage</b>	7...30 V DC, 90 mW,	required for 0...10 V setpoint input only, with reverse voltage protection
<b>Electrical connector</b>	plug according to DIN 43650A, contact gap 18 mm, 3-pin, with coupling socket 30 x 30 mm	
<b>Command signal</b>	0...10 V / 10 kΩ, 3-pin, 24 V DC supply voltage,	4...20 mA / 330 Ω, two-wire, min. 7 V DC on input
<b>Failsafe</b>	exhaust at power breakdown	
<b>Linearity</b>	< 0.25% FS	
<b>Hysteresis</b>	< 0.1% FS at 0.2...0.5 bar, otherwise < 0.25% FS	
<b>Adjustment</b>	Zero point: by 0.3 bar	Range: 40% FS
<b>Temperature range</b>	-40 °C to 70 °C / -40 °F to 158 °F	
<b>Material</b>	Body: chromated aluminium	Nozzle: sapphire in nickel-plated brass plate
	<b>Response sensitivity</b>	< 0.2% FS
	<b>Repeatability</b>	< 0.1% FS
	<b>Vibration sensitivity</b>	< 1% FS, for 10 g and 15...500 Hz
	<b>Mounting position</b>	any
	<b>Protection class</b>	IP 65
	<b>Elastomer:</b>	NBR/Buna-N
	<b>Inner valve:</b>	stainless steel, brass, zinc-plated steel



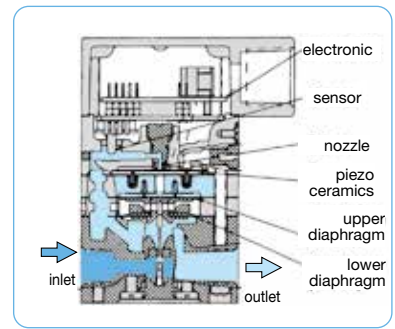
Dimensions			Flow rate	Supply pressure	Command signal	Pressure range	Order number
A	B	C	l/min*1	max. bar	V/mA	bar	
mm	mm	mm					E*

Proportional pressure regulator 0-10 V			¼" NPT, air consumption 2...8 l/min subject to pressure range		PT780		
57	95	13	250	8	0-10 V	0.2...1	PT780-B100
						0.2...2	PT780-B200
57	133	13	300	10	0-10 V	0...2	PT780-0200
						0...4	PT780-0400
						0...8	PT780-0800



PT78.-0.

Proportional pressure regulator 4-20 mA			¼" NPT, air consumption 2...8 l/min subject to pressure range		PT782		
57	95	13	250	8	4-20 mA	0.2...1	PT782-B100
						0.2...2	PT782-B200
57	133	13	300	10	4-20 mA	0...2	PT782-0200
						0...4	PT782-0400
						0...8	PT782-0800



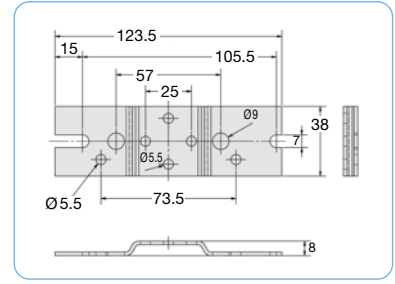
cross-section

## Special options, change the appropriate number

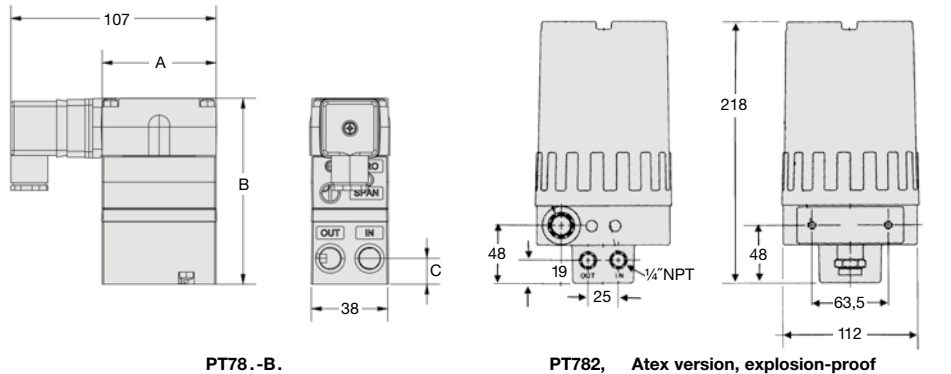
<b>-i-Atex</b>	Atex II 1G Ex ia IIB T4	4-20 mA only	PT782-...01
<b>-d-Atex</b>	Atex ds IIC T6	max. 2 bar	4-20 mA only PT782-...0E

## Accessories, enclosed

<b>mounting bracket</b>	made of steel, for standard version	<b>SA-PT1</b>
	made of steel, for DIN rail	<b>SA-PT2</b>
<b>mounting clip</b>	made of steel, Atex version, explosion-proof	<b>SA-PT3</b>
<b>isolate transmitter</b>	Ex ia II C E/A: 0...20 mA, 24 V DC, EX 1-32	<b>KFD2-CD</b>



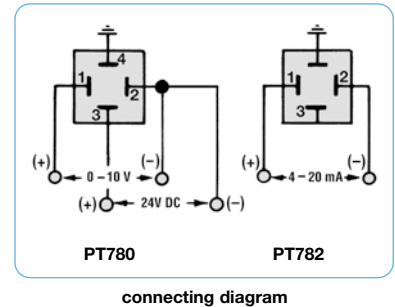
SA-PT1



PT78.-B.

PT782, Atex version, explosion-proof

\*1 at 7 bar supply pressure and 1.4 bar outlet pressure



connecting diagram

\* Product group